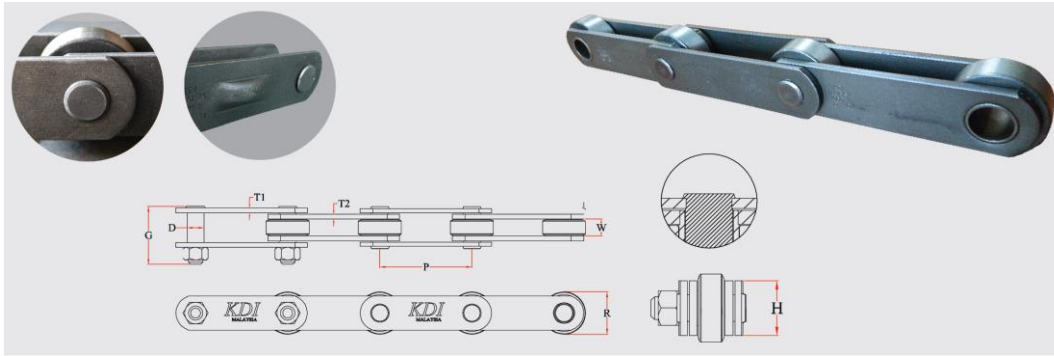


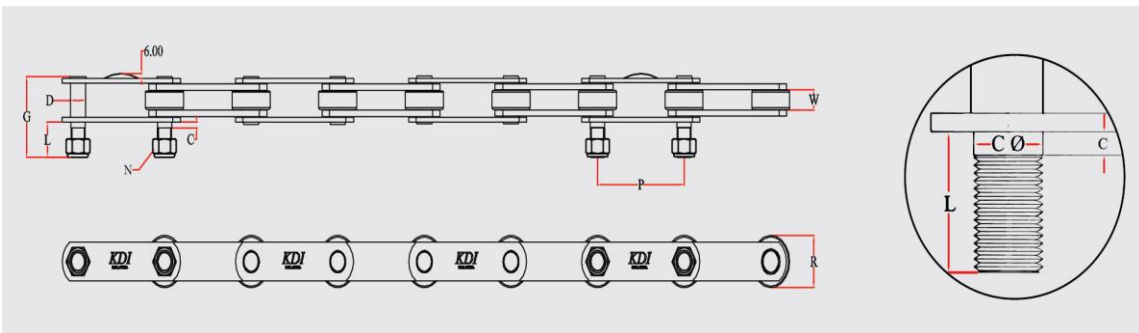
4" SOLID RIVETED TYPE



Chain No.	Pitch P	Roller R	Pin D	Inner width W	Total width G	Plate		Maximum Load Lbs	Weight kg/f
						Height H	Thickness T1 T2		
KD44	101.6	47.6	19.0	19.0	63.5	38.1	4.5 5.5	35,000	2.2
KD46-WR	101.6	66.7	26.9	25.4	81.0	52.8	6.0 6.0	48,000	4.0

*mm

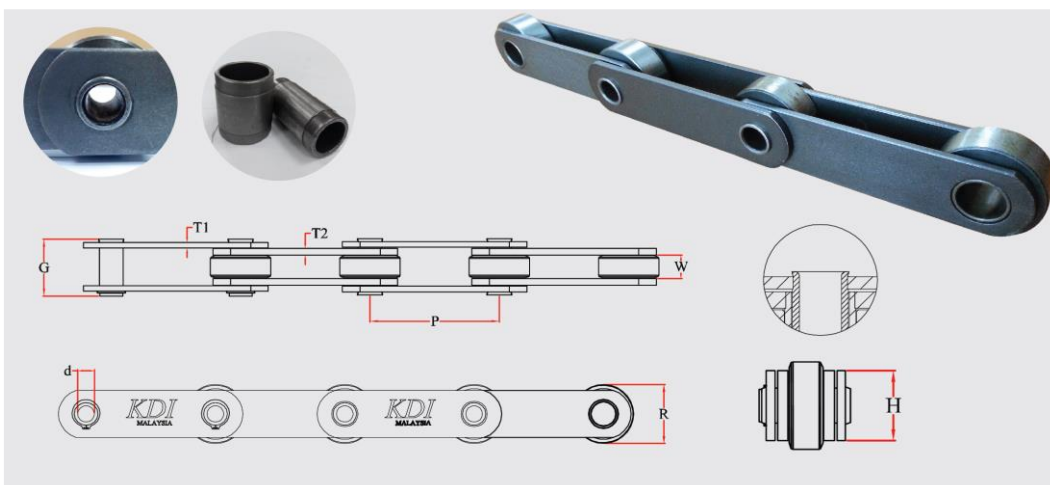
4" SOLID EXTENDED TYPE WITH WEAR PAD



Chain No.	Pitch P	Roller R	Pin D	Inner width W	Total width G	Pin Length L	Nut N	Step C	Dia c ø	Extended Pin 6 links	Protect pad Yes	Weight
												kg/f
KD44-6EP	101.6	47.6	19.0	19.0	71.0	23.0	M16	5.0	18.0	6 links	Yes	2.2

*mm

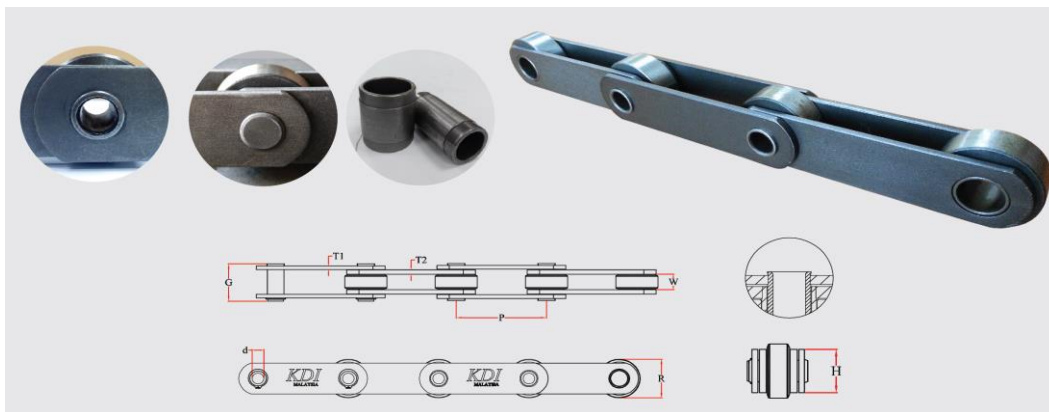
4" HOLLOW TYPE CHAIN



Chain No.	Pitch P	Roller R	Pin D	Inner width W	Total width G	Plate		Maximum Load Lbs	Weight kg/f
						Height H	Thickness T1 T2		
KD44H	101.6	47.6	13.2	19.0	45.0	38.1	4.5 5.5	31,700	1.9
KD46H-WR	101.6	66.7	20.1	25.4	57.0	52.8	6.0 6.0	40,000	3.7

*mm

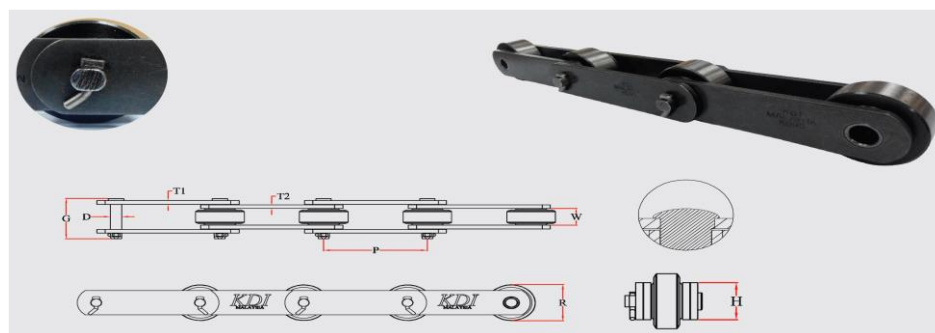
4" Design for Wet Condition



Chain No.	Pitch	Roller	Pin	Inner width	Total width	Plate			Maximum Load	Weight
						Height	Thickness			
	P	R	D	W	G	H	T1	T2	Lbs	kg/f
KD44-PBSS	101.6	47.6	19.0	19.0	45.0	38.1	4.5	5.5	35,000	2.2
KD44H-PBSS	101.6	47.6	13.2	19.0	45.0	38.1	4.5	5.5	31,700	1.9

*mm

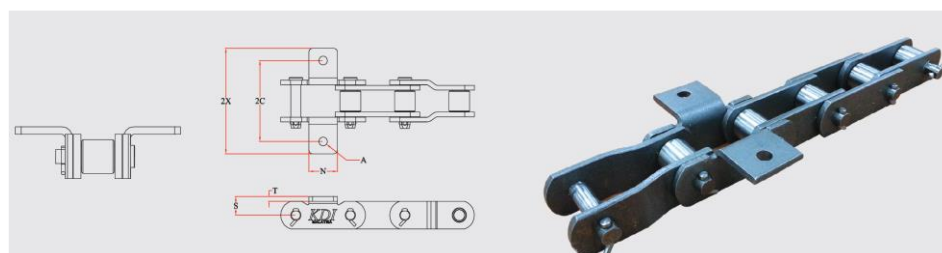
SOLID T PIN TYPE



Chain No.	Pitch	Roller	Pin	Inner width	Total width	Plate			Maximum Load	Weight
						Height	Thickness			
	P	R	D	W	G	H	T1	T2	Lbs	kg/f
KD90	101.6	47.6	11.3	21.4	53.0	32.0	5.0	5.0	29,900	1.9
KD94-WR	101.6	50.8	14.5	30.0	70.0	38.1	6.5	6.5	45,300	3.0
KD604-WR	152.4	50.8	14.5	30.0	70.0	38.1	6.5	6.5	40,000	2.3
KD9503	76.7	29.0	14.5	30.0	70.0	38.1	6.5	6.5	47,700	2.8

*mm

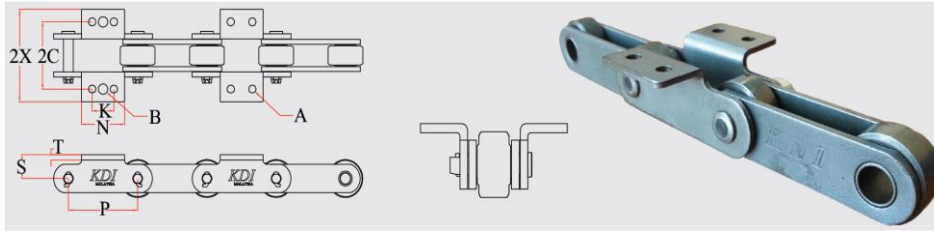
K1



Chain No.	2C	2X	N	A	S	T
KD9503-5K1	111.2	142.0	46.0	12.0	25.4	6.5

*mm

K2/K3



Chain No.	P	2C	2X	K	N	A	B	T	S
KD90-[][K3]	101.6	89.0	124.0	31.8	63.0	10.7	13.9	5.0	31.8
KD94-[][K2]-WR	101.6	89.0	124.0	31.8	63.0	10.7		6.5	31.8
KD604-[][K2]-WR	152.4	101.6	135.0	50.8	90.0	12.0		6.5	31.8
KD44-[][K3]-WR	101.6	91.4	127.5	31.8	63.0	10.7	13.9	4.5	31.8

*mm

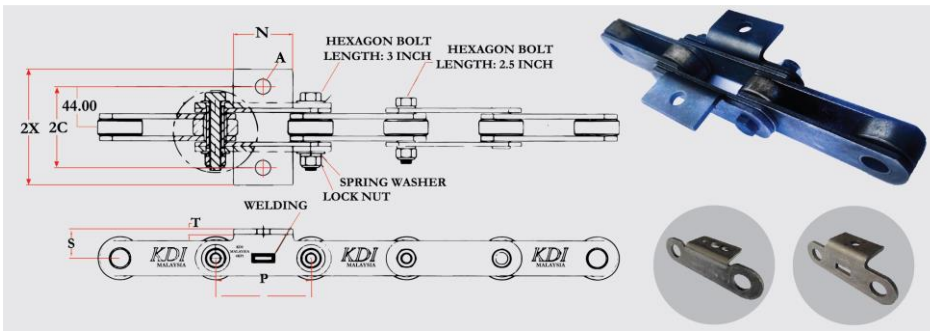
[] = links per attachment

Example: KD604-4K2-WR

[K] = Attachment model

KD604 chain with 4links per one K2 attachment

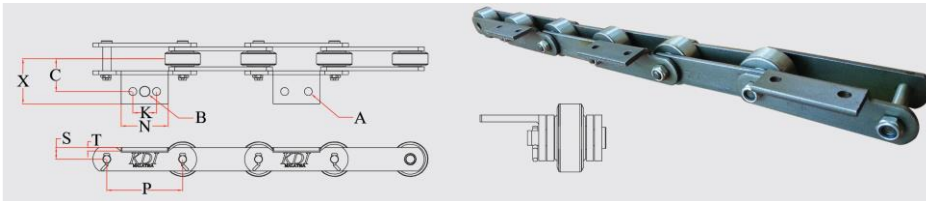
KD44H - K1 ATTACHMENT



Chain No.	P	2C	2X	N	A	S	T
KD44H-4KP1	101.6	88.0	126.0	63.5	13.9	31.8	6.0

*mm

A2/A3



Chain No.	P	C	X	K	N	A	B	T	S
KD90-[][A3]	101.6	44.5	62.0	31.8	63.0	10.7	13.9	5.0	31.8
KD94-[][A2]-WR	101.6	44.5	62.0	31.8	63.0	10.7		6.5	31.8
KD604-[][A2]-WR	152.4	50.8	67.5	50.8	90.0	12.0		6.5	31.8

*mm

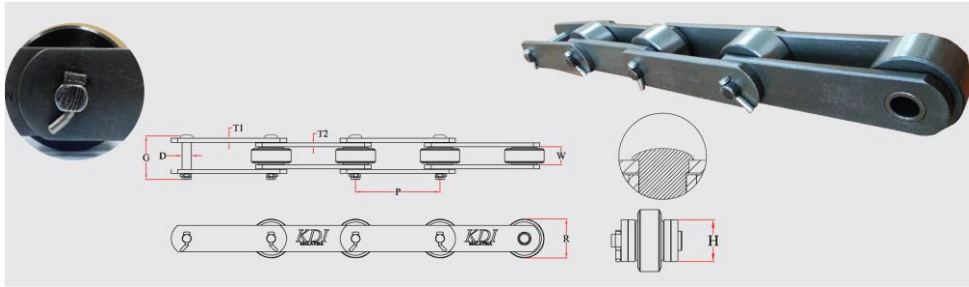
[] = links per attachment

Example: KD94-6A2-WR

[A] = Attachment model

KD94 chain with 6links per one A2 attachment

6" SOLID T PIN TYPE



Chain No.	Pitch P	Roller R	Pin D	Inner width W	Total width G	Plate		Maximum Load Lbs	Weight kg/f
						Height H	Thickness T1 T2		
KD5289-WR	152.4	66.7	22.1	25.4	72.0	50.8	6.4 6.4	59,500	3.3
KD5289-EX-WR	152.4	66.7	22.1	25.4	72.0	55.0	6.4 8.0	86,400	4.0
KD5289-EXL-WR	152.4	66.7	22.1	25.4	80.0	55.0	8.0 10.0	100,000	4.5
KD9060-WR	152.4	69.8	19.0	38.1	96.0	50.8	9.5 9.5	110,000	5.3
KD5305-WR	160.0	69.8	17.5	38.1	82.0	50.8	6.4 6.4	90,000	4.5
668-WR	152.4	66.7	26.9	25.4	72.0	52.8	6.0 8.0	74,000	3.6

*mm

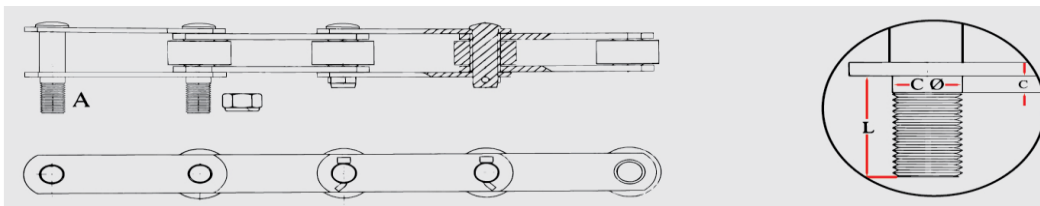
EXTENDED TYPE



Chain No.	Pitch P	Roller R	Pin D	Inner width W	Total width G	Pin Length L	Nut N	Extended Pin	Protect pad	Weight kg/f
KD5289-EX-WR	152.4	66.7	22.1	25.4	105.0	45.0	M20	6 links	-	4.2
KD5289-EXL-WR	152.4	66.7	22.1	25.4	113.0	45.0	M20	6 links	-	4.8

*mm

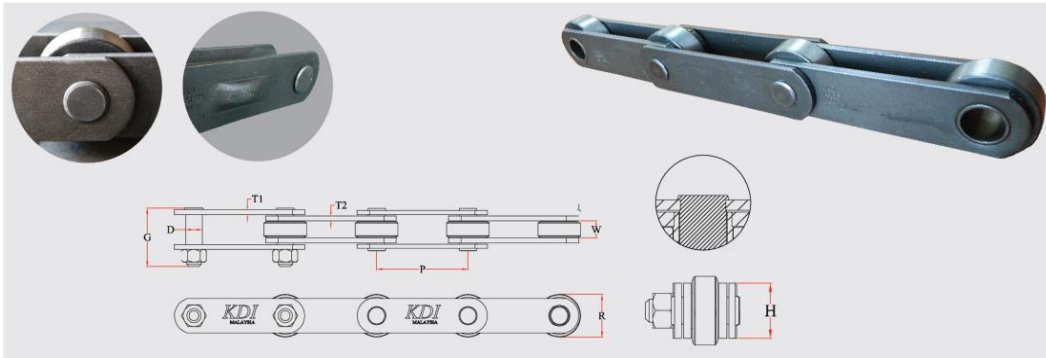
EXTENDED TYPE



Chain No.	Pitch P	Roller R	Pin D	Inner width W	Total width G	Pin Length L	Nut N	Step C	Dia c Ø	Extended Pin	Protect pad	Weight kg/f

*mm

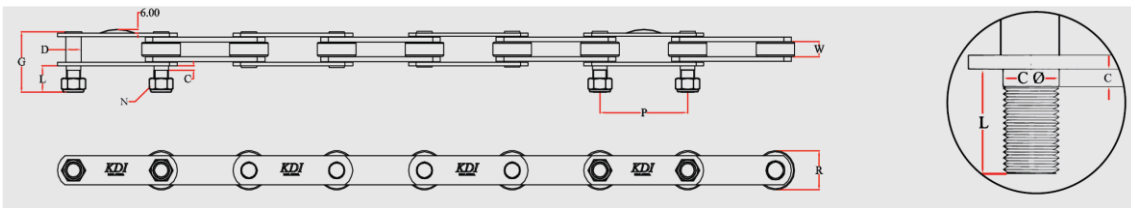
6" SOLID RIVETED TYPE



Chain No.	Pitch	Roller	Pin	Inner width	Total width	Plate			Maximum Load	Weight
	P	R	D	W	G	Height	Thickness			
KD64	152.4	47.6	19.0	19.0	63.5	38.1	4.5	5.5	37,500	2.0
KD66-WR	152.4	66.7	26.9	25.4	81.0	52.8	6.0	6.0	54,500	3.3
KD66-EX-WR	152.4	66.7	26.9	25.4	83.0	52.8	6.0	8.0	74,000	3.6
KD68-WR	152.4	88.9	30.0	38.1	100.0	61.0	8.0	8.0	75,000	6.7
KD66-XX-WR	152.4	66.7	26.9	25.4	87.0	52.8	8.0	8.0	80,900	7.1

*mm

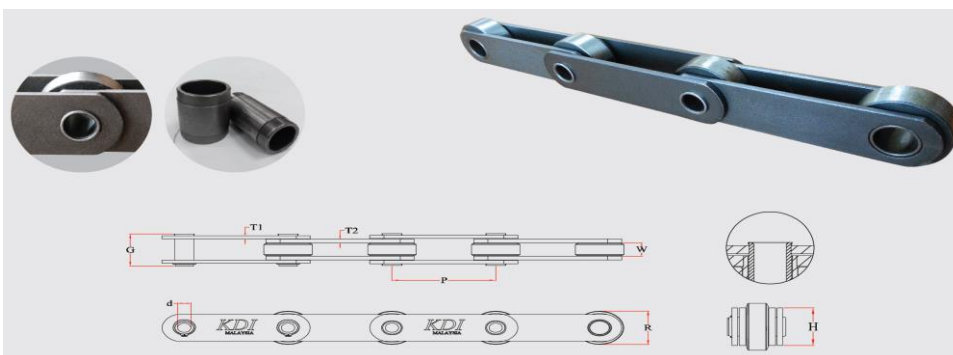
6" SOLID EXTENDED TYPE WITH WEAR PAD



Chain No.	Pitch	Roller	Pin	Inner width	Total width	Pin Length	Nut	Step	Dia	Extended Pin	Protect pad	Weight
	P	R	D	W	G	L	N	C	c Ø			
KD64-4EP	152.4	47.6	19.0	19.0	72.0	27.0	M16	5.0	18.0	4 links	Yes	2.2
KD66-6EP-WR	152.4	66.7	26.9	25.4	99.0	45.0	M24	7.5	25.0	6 links	Yes	3.4
KD66-EX-8EP-WR	152.4	66.7	26.9	25.4	103.0	45.0	M24	7.5	25.0	8 links	Yes	3.8
KD66-XX-6EP-WR	152.4	66.7	26.9	25.4	108.0	45.0	M24	7.5	25.0	6 links	Yes	4.0

*mm

6" HOLLOW TYPE

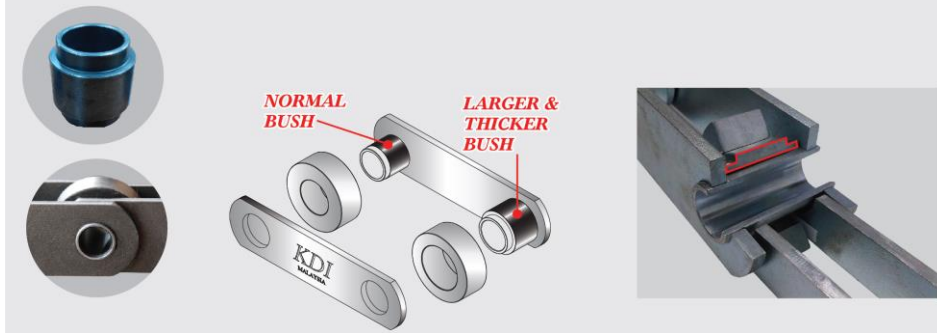


Chain No.	Pitch	Roller	Pin	Inner width	Total width	Plate			Maximum Load	Weight
	P	R	D	W	G	Height	Thickness			
KD64H	152.4	47.6	19.0	19.0	45.0	38.1	4.5	5.5	28,000	1.8
KD66H-WR	152.4	66.7	20.1	25.4	57.0	52.8	6.0	6.0	45,000	3.1
KD66H-EX-WR	152.4	66.7	20.1	25.4	61.0	52.8	6.0	8.0	58,100	3.3
KD68H-WR	152.4	88.9	23.1	38.1	78.0	61.0	8.0	8.0	65,000	6.3

*mm

6" HOLLOW PREMIER TYPE (Larger and Thicker Bush - Design for Fruit Elevator)

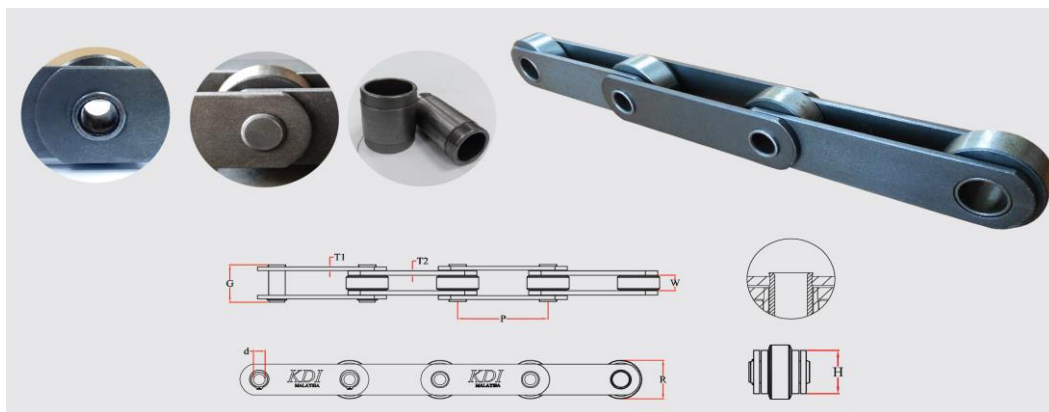
Design For Fruit Elevator



Chain No.	Pitch P	Roller R	Pin D	Inner width W	Total width G	Plate		Maximum Load Lbs	Weight kg/f
						Height H	Thickness T1 T2		
KDP66H-WR	152.4	66.7	20.1	25.4	57.0	52.8	6.0 6.0	45,000	3.1
KD66PH-EX-WR	152.4	66.7	20.1	25.4	61.0	52.8	6.0 8.0	58,100	3.3

*mm

6" HOLLOW TYPE (Design for Wet Condition)

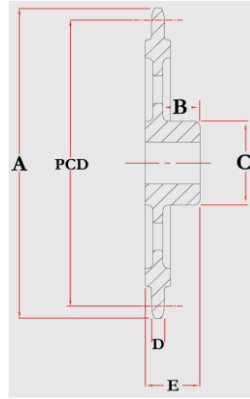


Chain No.	Pitch P	Roller R	Pin D	Inner width W	Total width G	Plate		Maximum Load Lbs	Weight kg/f
						Height H	Thickness T1 T2		
KD66H-PBSS-WR	152.4	66.7	20.1	25.4	57.0	52.8	6.0 6.0	45,000	3.1

*mm

SPROCKET

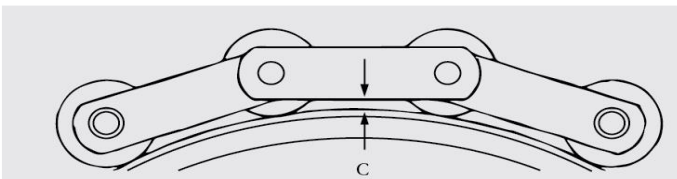
Material : Cast Steel / Cast Iron



Chain Pitch	No. of Teeth	Pitch Dia. PCD	A	B	C	D	E
101.6	8	265.5	289	45	110	17.2	75
	10	329	353	55	130	17.2	80
	12	391	415	55	140	17.2	80
	16	520	545	65	160	17.2	105
	21	684	710	70	170	17.2	115
152.4	8	398	422	60	150	23	100
	10	492	515	70	165	23	105
	12	589	613	70	185	23	120
	14	682	710	80	195	23	125
	16	782	810	85	200	23	125
	21	1010	1050	100	215	23	140

*mm

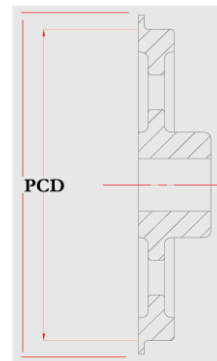
DRUM SPROCKET



Minimum track radius and link clearance

Chain Pitch	Roller Dia	Clearance C	Pitch Dia. PCD
101.6	47.6	2.6	580
	66.7	4.2	310
152.4	66.7	4.2	720
	88.9	5.2	300

*mm



Connector Link



CL90



CL94



CL9503-K1



CL44



CL44H



CL66



CL66H



CL66H-EX



CL66EP



CL66-EX-EP



K -TYPE ATTACHMENT



A -TYPE ATTACHMENT